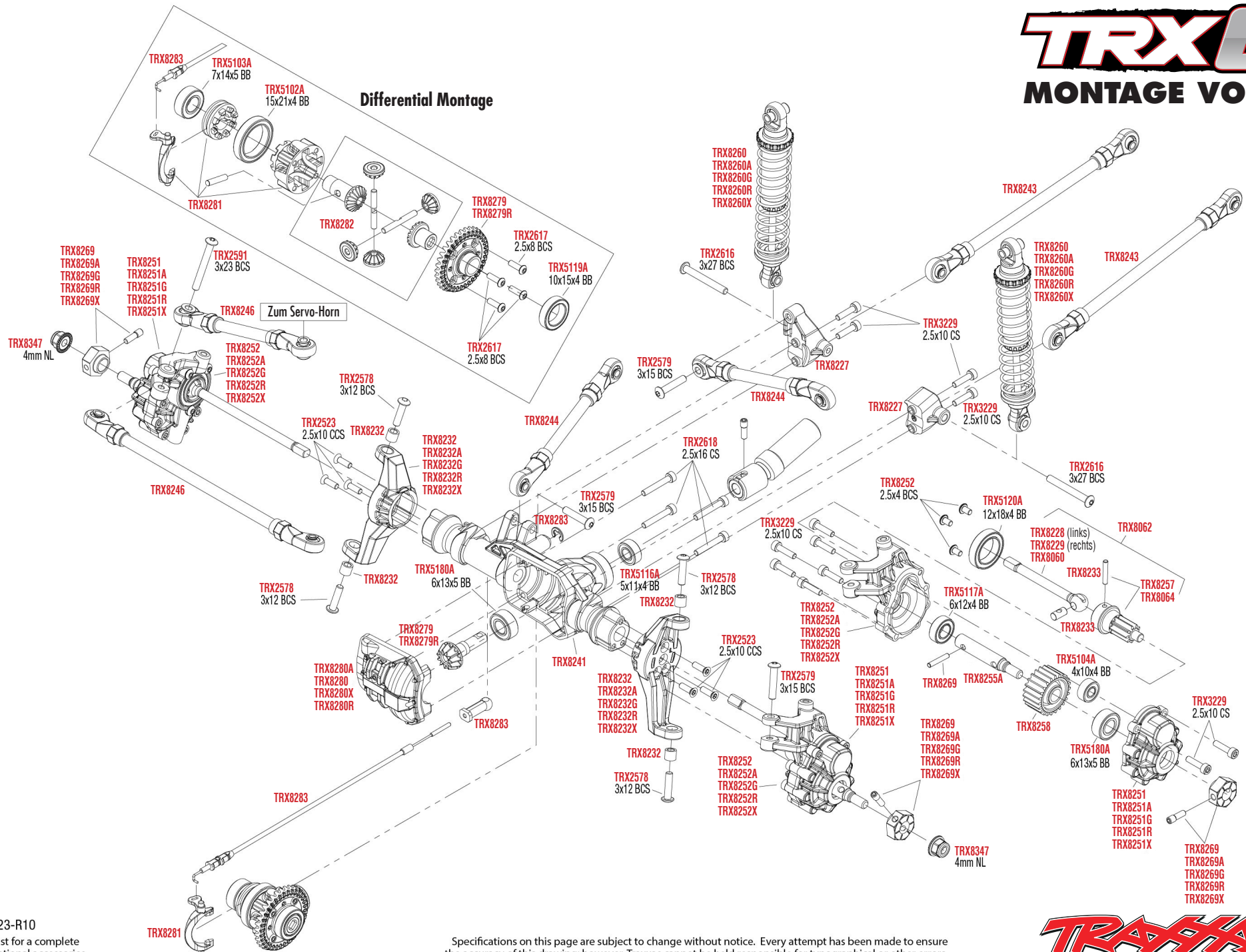


# TRX6

## MONTAGE VORNE



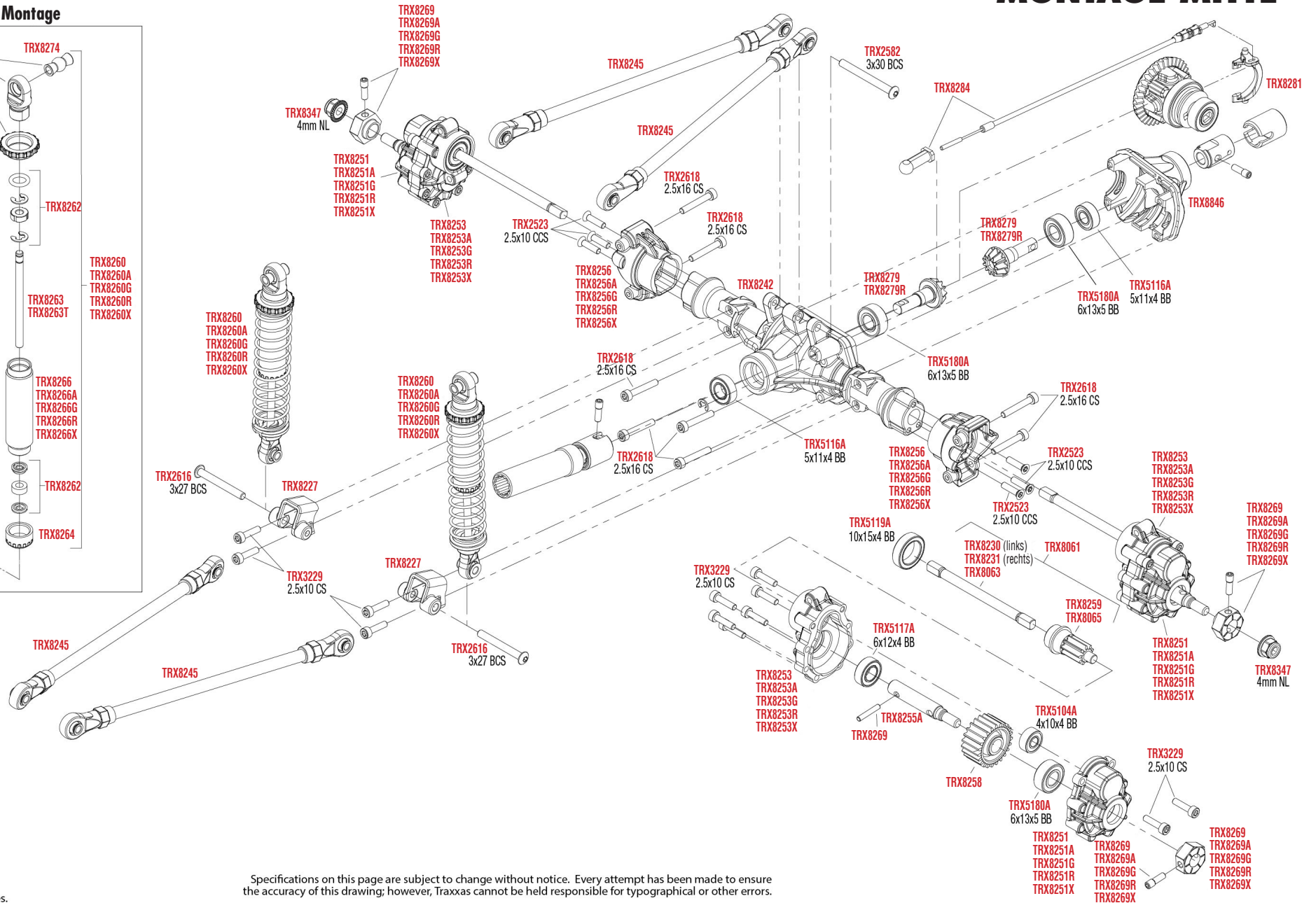
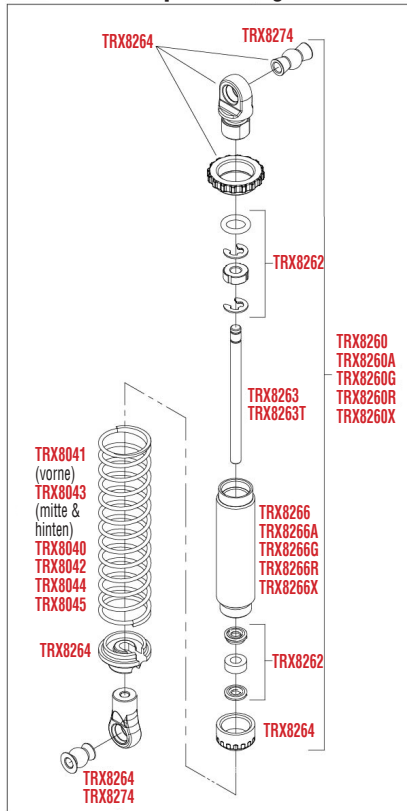
REV 220523-R10  
 See Parts List for a complete listing of optional accessories.

Specifications on this page are subject to change without notice. Every attempt has been made to ensure the accuracy of this drawing; however, Traxxas cannot be held responsible for typographical or other errors.



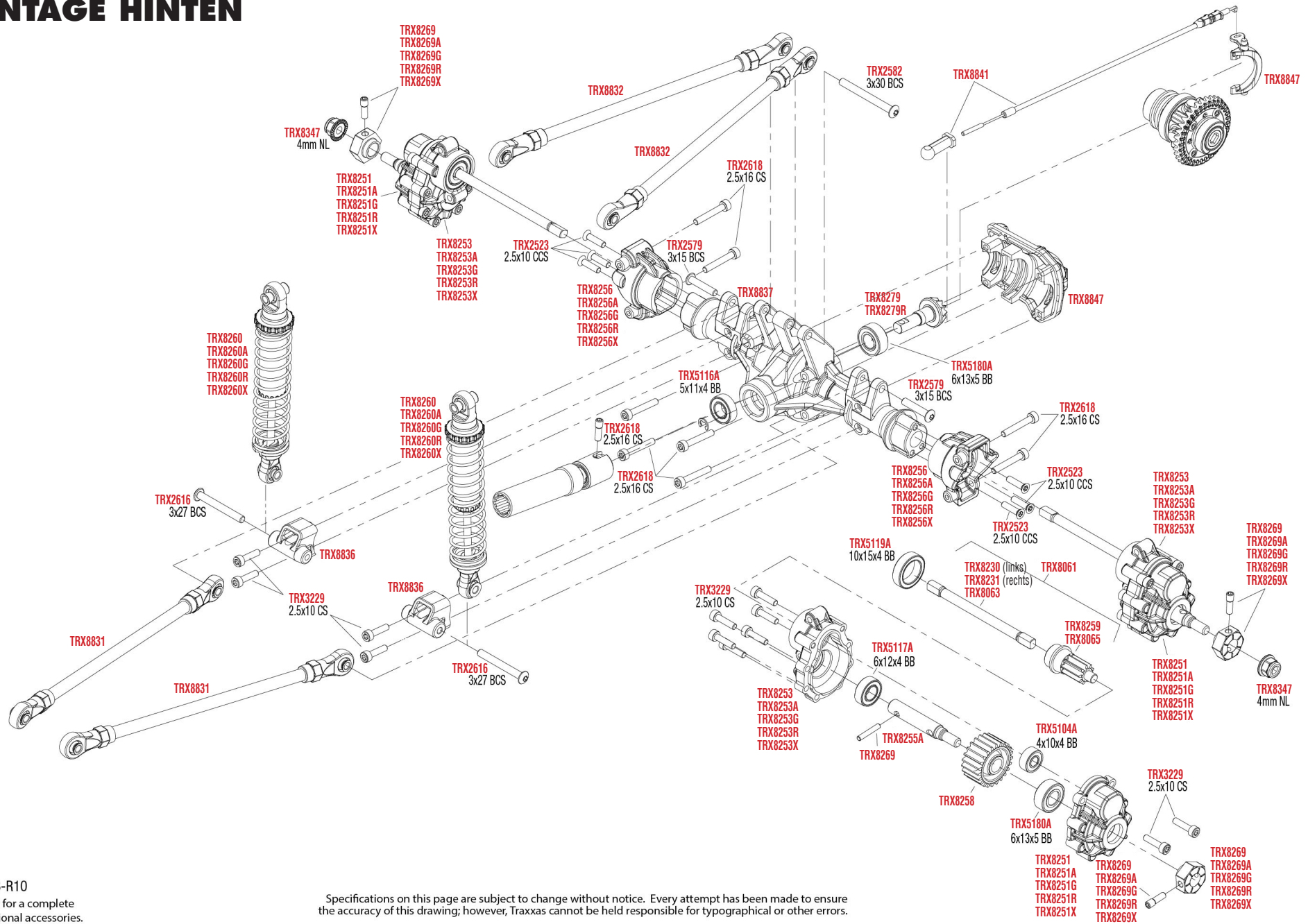


### Dämpfer Montage



# TRX6

## MONTAGE HINTEN



REV 220523-R10  
 See Parts List for a complete listing of optional accessories.

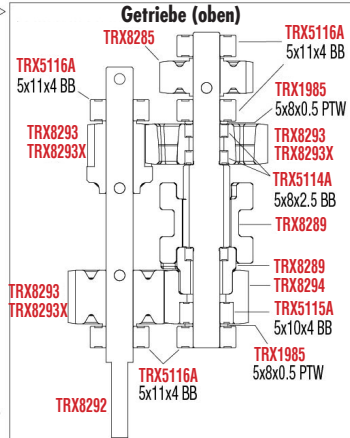
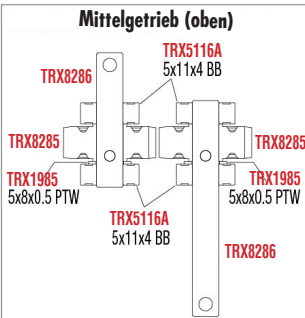
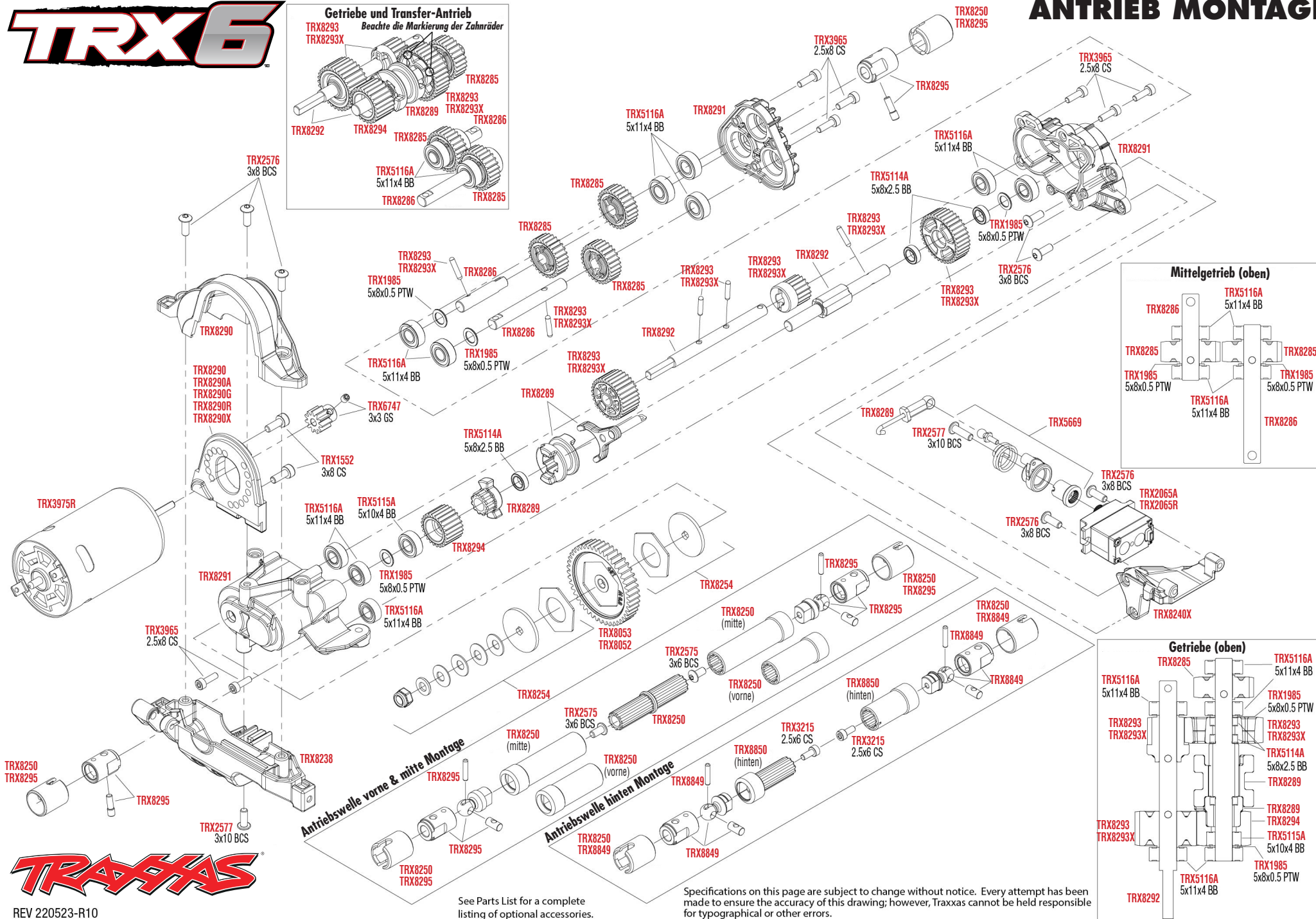
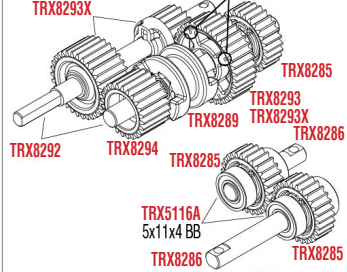
Specifications on this page are subject to change without notice. Every attempt has been made to ensure the accuracy of this drawing; however, Traxxas cannot be held responsible for typographical or other errors.



# ANTRIEB MONTAGE

## Getriebe und Transfer-Antrieb

Beachte die Markierung der Zahnräder



Antriebswelle vorne & mitte Montage

Antriebswelle hinten Montage

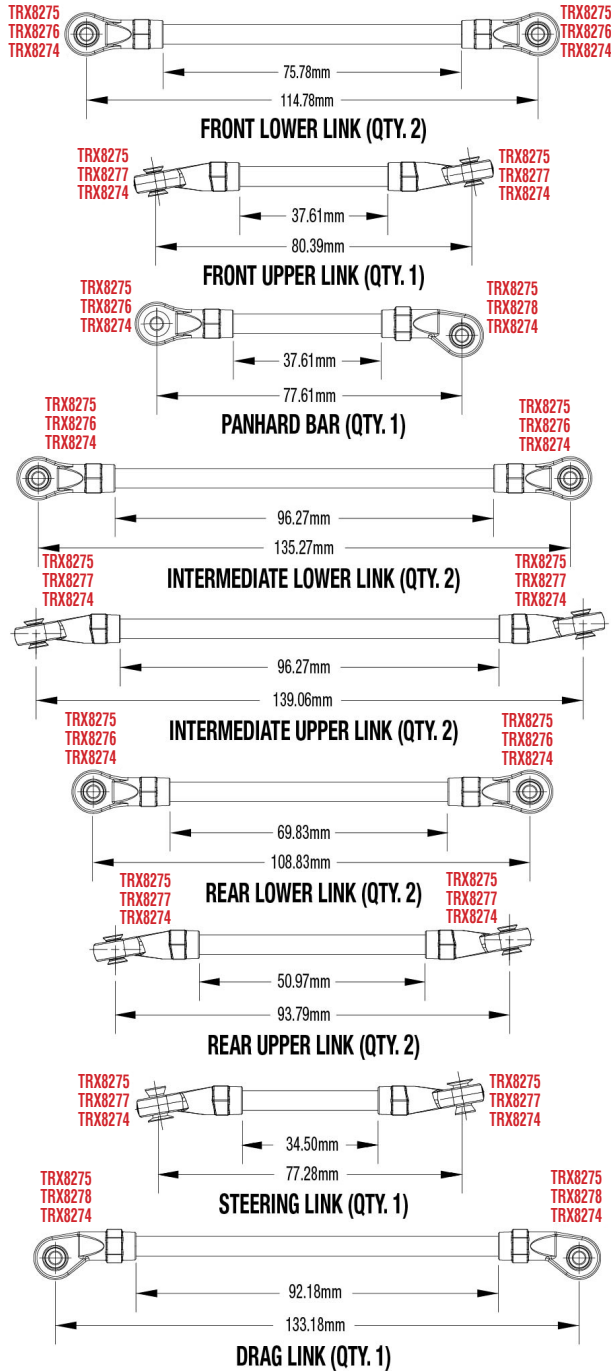


REV 220523-R10

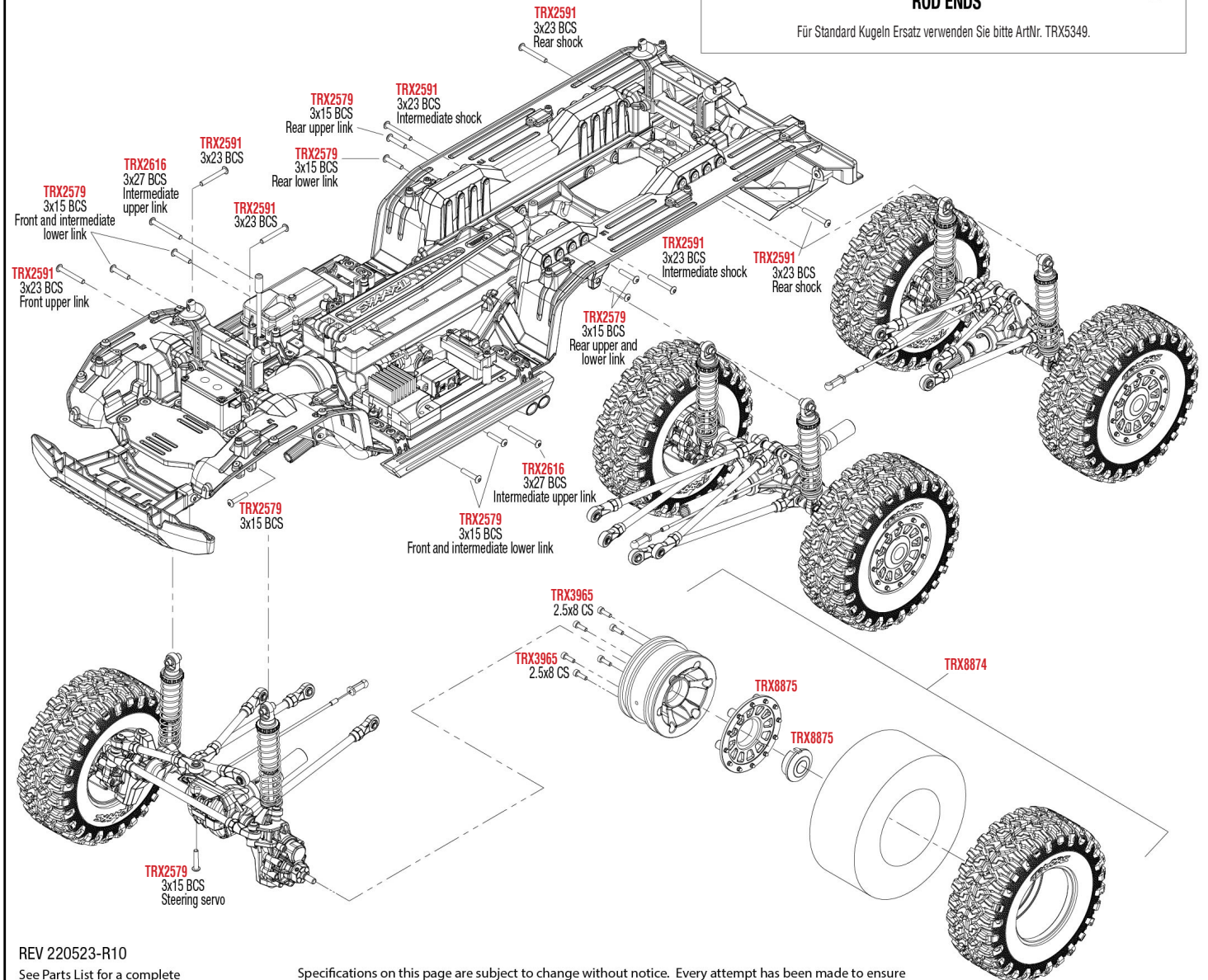
See Parts List for a complete listing of optional accessories.

Specifications on this page are subject to change without notice. Every attempt has been made to ensure the accuracy of this drawing; however, Traxxas cannot be held responsible for typographical or other errors.

# Link Abmessungen



# TRX6 MODULARE MONTAGE

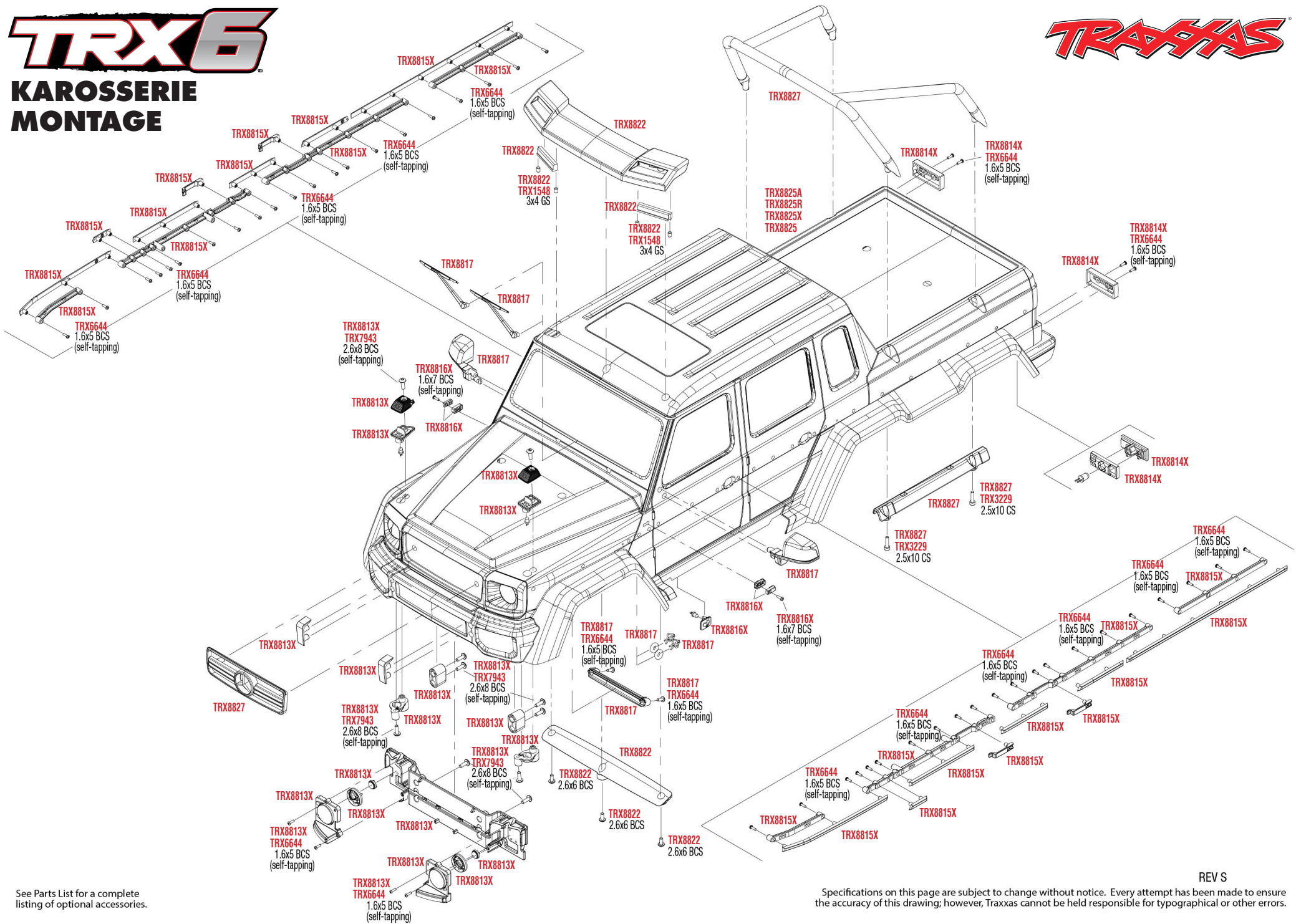


REV 220523-R10  
See Parts List for a complete listing of optional accessories.

Specifications on this page are subject to change without notice. Every attempt has been made to ensure the accuracy of this drawing; however, Traxxas cannot be held responsible for typographical or other errors.

# TRX6

## KAROSSERIE MONTAGE



See Parts List for a complete listing of optional accessories.

REV S  
Specifications on this page are subject to change without notice. Every attempt has been made to ensure the accuracy of this drawing; however, Traxxas cannot be held responsible for typographical or other errors.