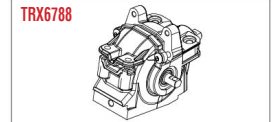
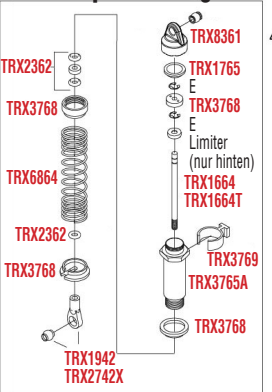




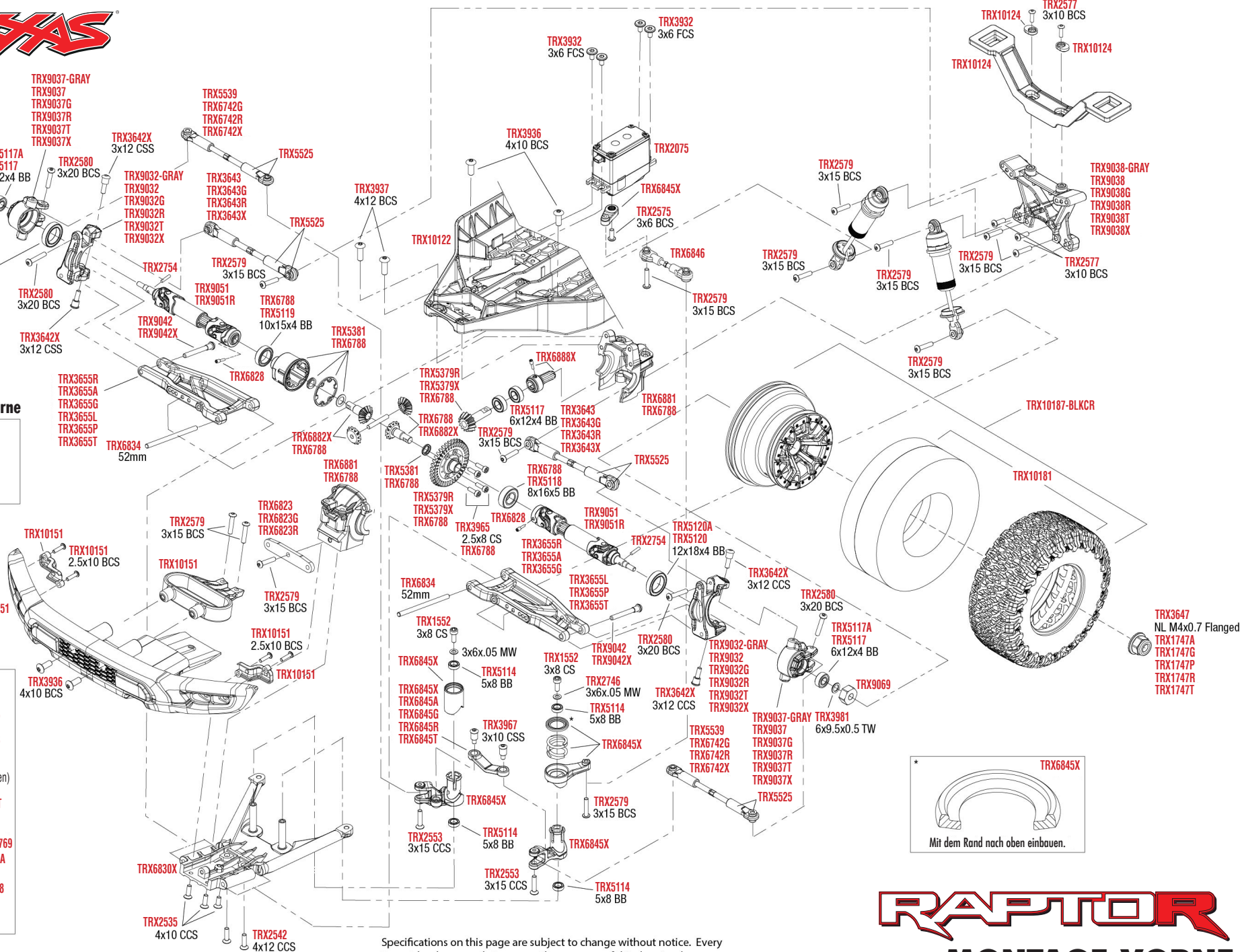
Differential Montage vorne



Dämpfer Montage



REV 230804-R05
See Parts List for a complete listing of optional accessories.



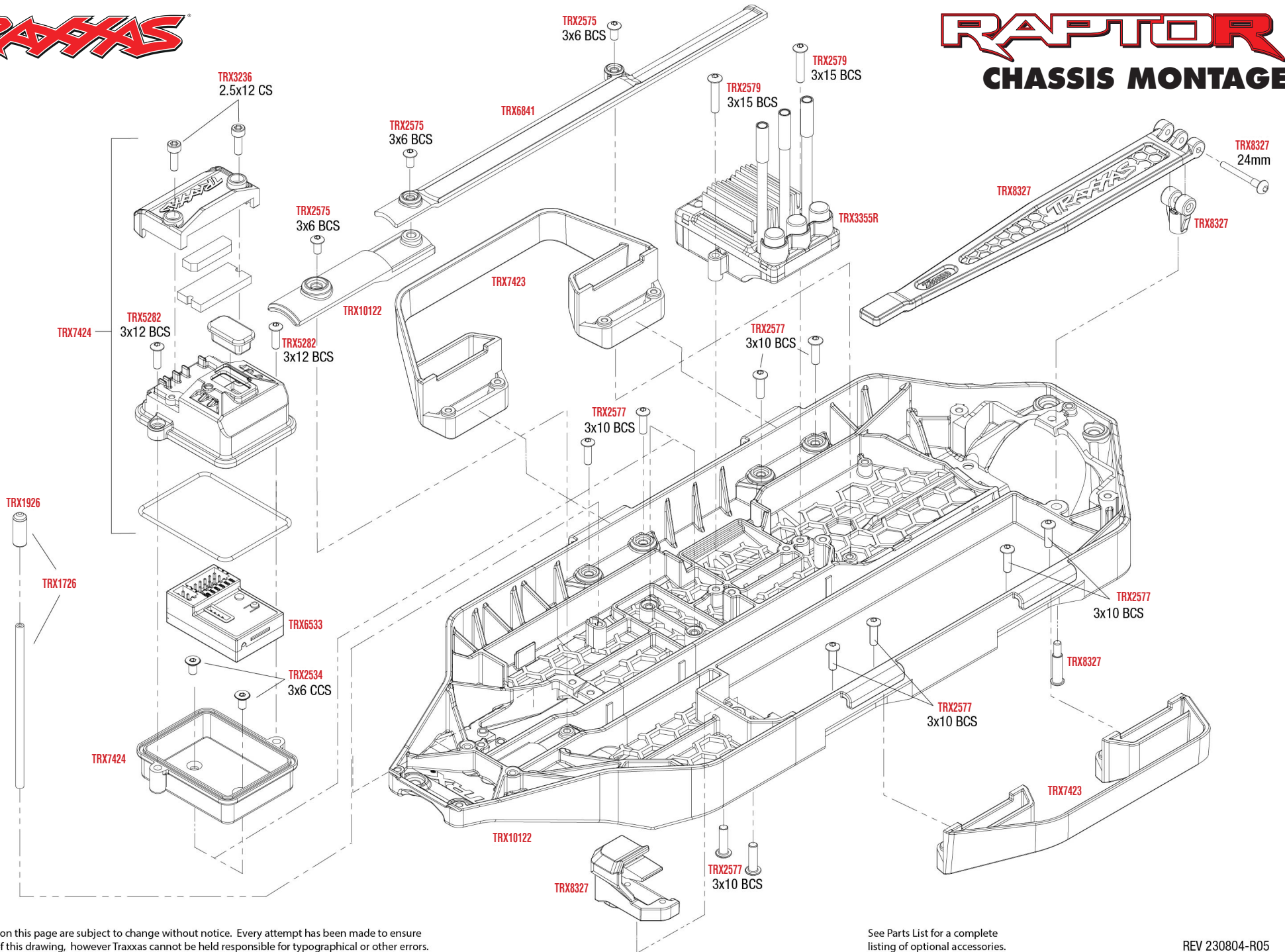
Specifications on this page are subject to change without notice. Every attempt has been made to ensure the accuracy of this drawing, however Traxxas cannot be held responsible for typographical or other errors.





RAPTOR

CHASSIS MONTAGE



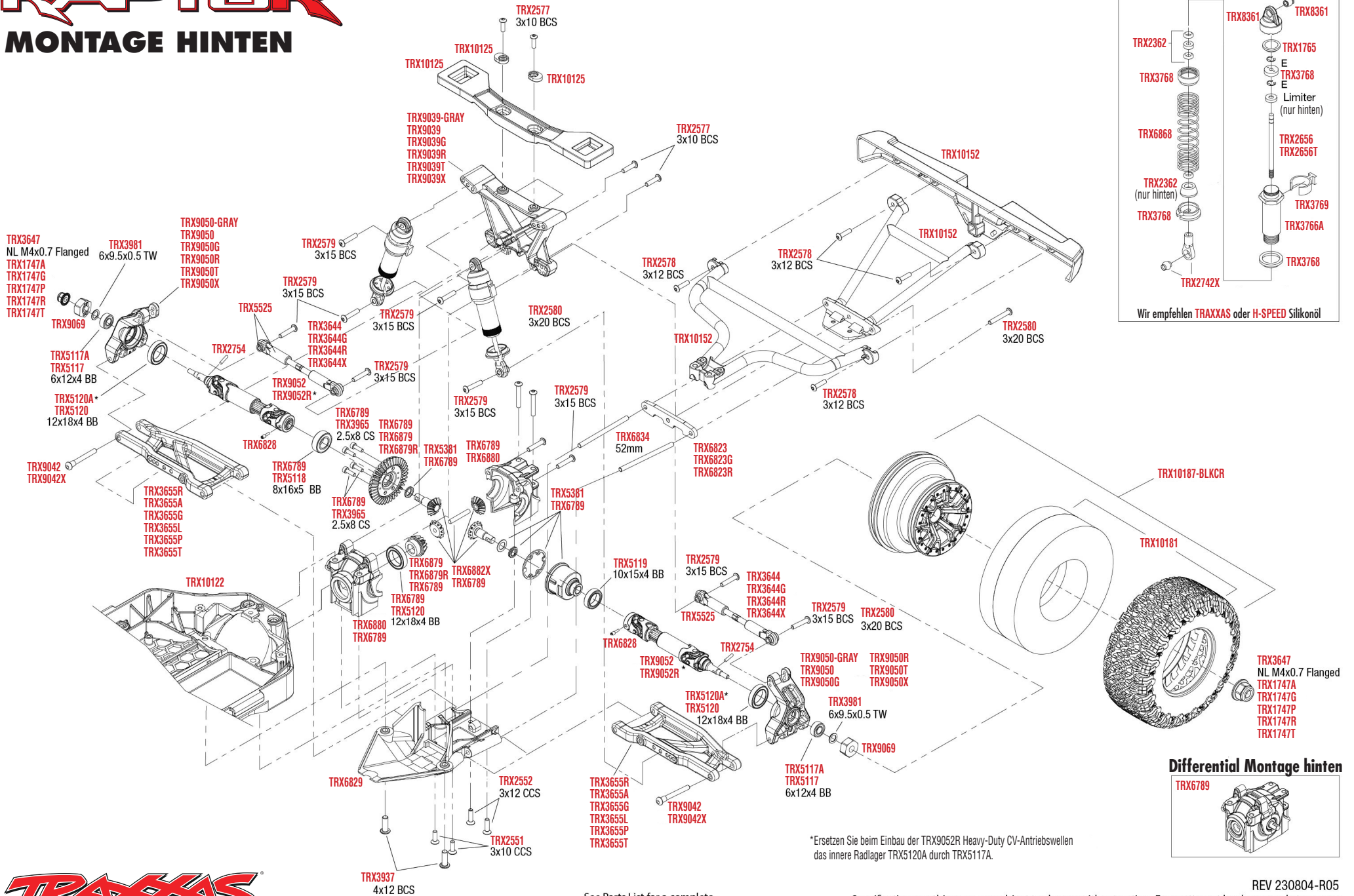
Specifications on this page are subject to change without notice. Every attempt has been made to ensure the accuracy of this drawing, however Traxxas cannot be held responsible for typographical or other errors.

See Parts List for a complete listing of optional accessories.

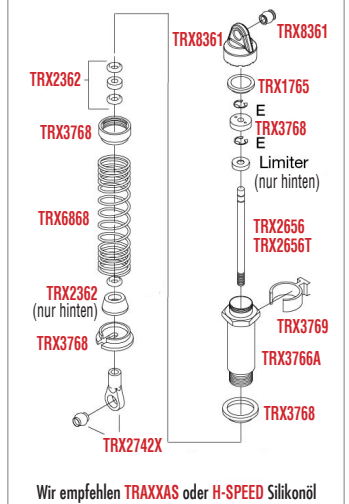
REV 230804-R05

RAPTOR

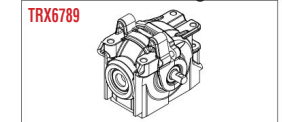
MONTAGE HINTEN



Dämpfer Montage



Differential Montage hinten



*Ersetzen Sie beim Einbau der TRX9052R Heavy-Duty CV-Antriebswellen das innere Radlager TRX5120A durch TRX5117A.

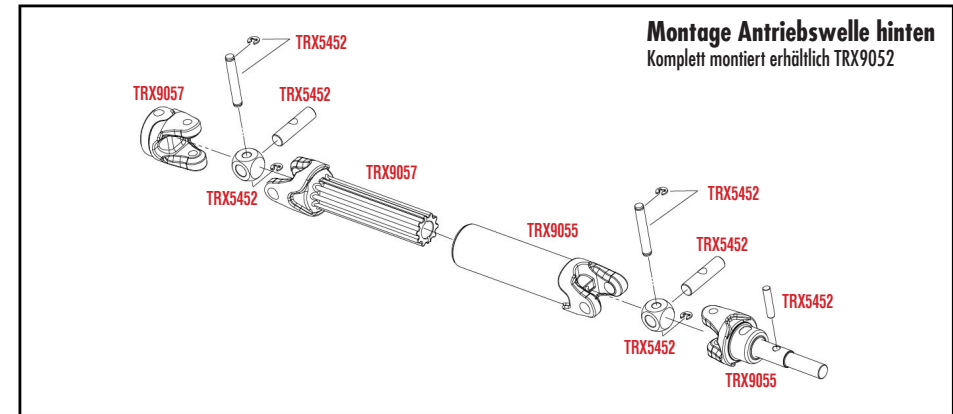
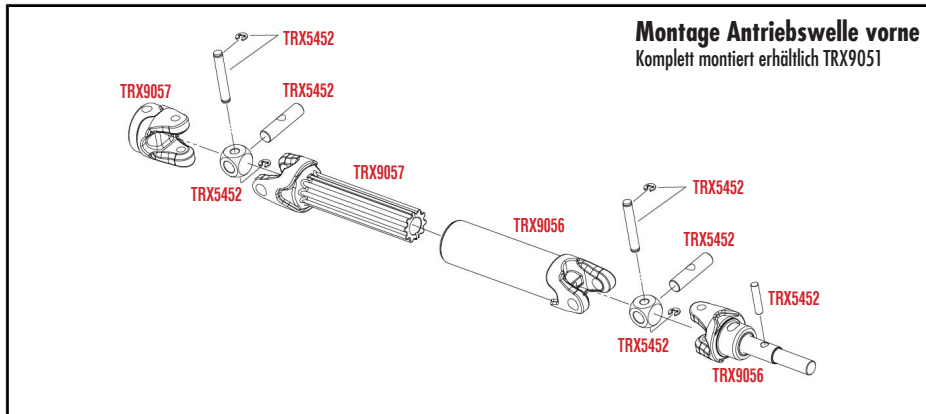


See Parts List for a complete listing of optional accessories.

Specifications on this page are subject to change without notice. Every attempt has been made to ensure the accuracy of this drawing, however Traxxas cannot be held responsible for typographical or other errors.

REV 230804-R05

ANTRIEBSWELLEN



MODULARE MONTAGE

